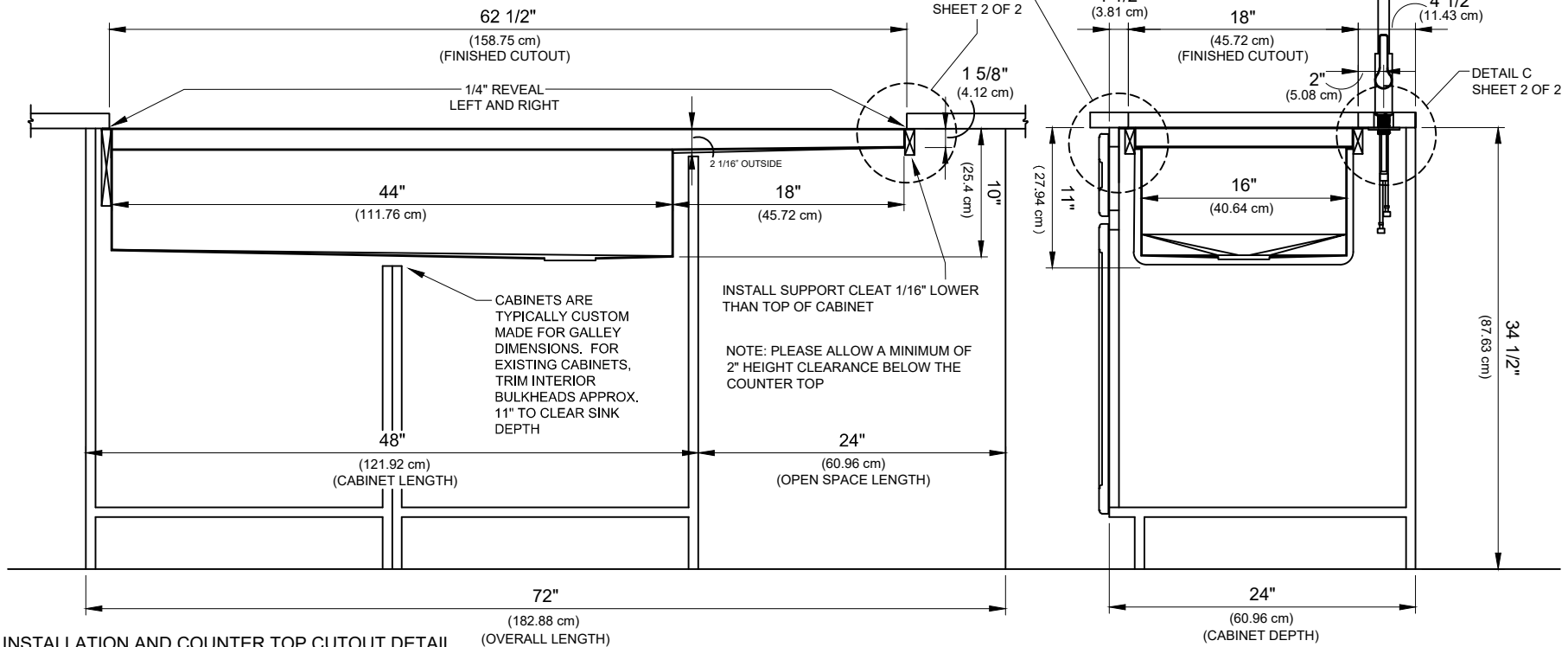


SUGGESTED PLACEMENT FOR THE GALLEY TAP AND OPTIONAL ACCESSORIES

T. GALLEY TAP	INSTALL HOLE DIAMETERS
1. GALLEY SOAP DISPENSER OR DECK SWITCH	GALLEY TAP: 1 3/8" MAX
2. GALLEY DECK SWITCH OR AUTOMATIC KITCHEN STRAINER KNOB OR *HOT & COLD WATER DISPENSER	GALLEY DECK SWITCH: 1 3/8" MAX
3. GALLEY *HOT & COLD WATER DISPENSER OR SOAP DISPENSER	GALLEY SOAP DISPENSER: 1" MIN TO 1 3/8" MAX
4. GALLEY *HOT & COLD WATER DISPENSER OR SOAP DISPENSER	NOTE: CENTER HOLE DIAMETERS 2" BEHIND CUTOUT

*AVAILABLE 2018



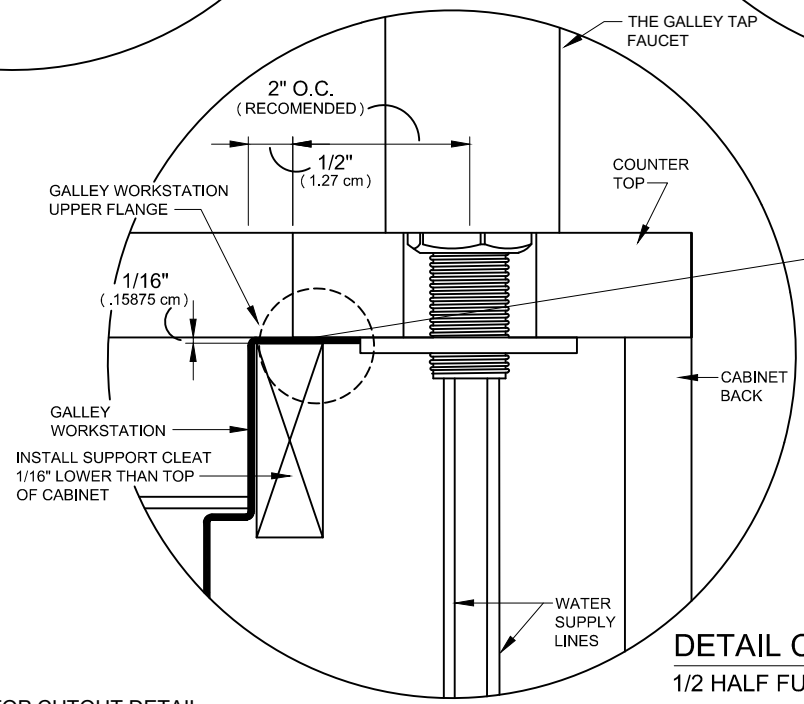
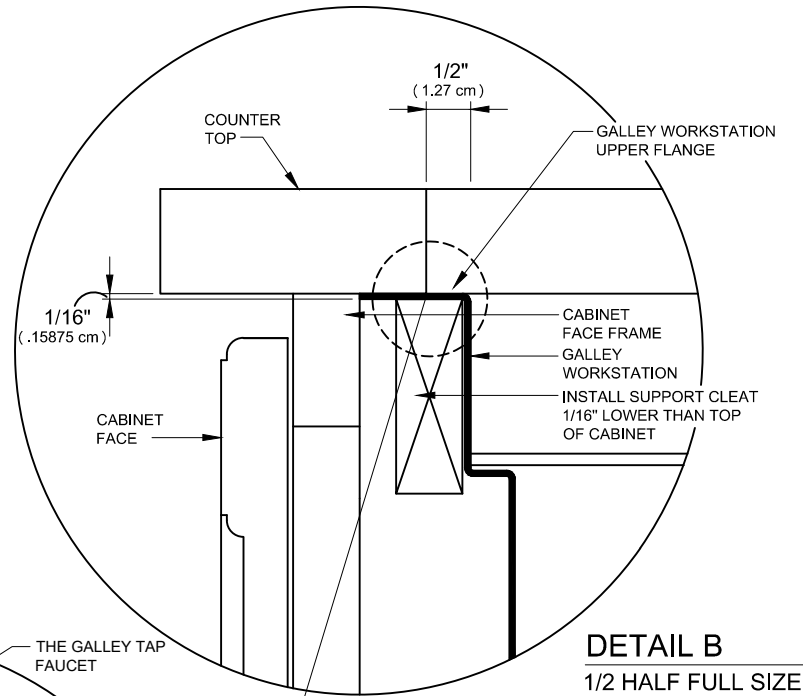
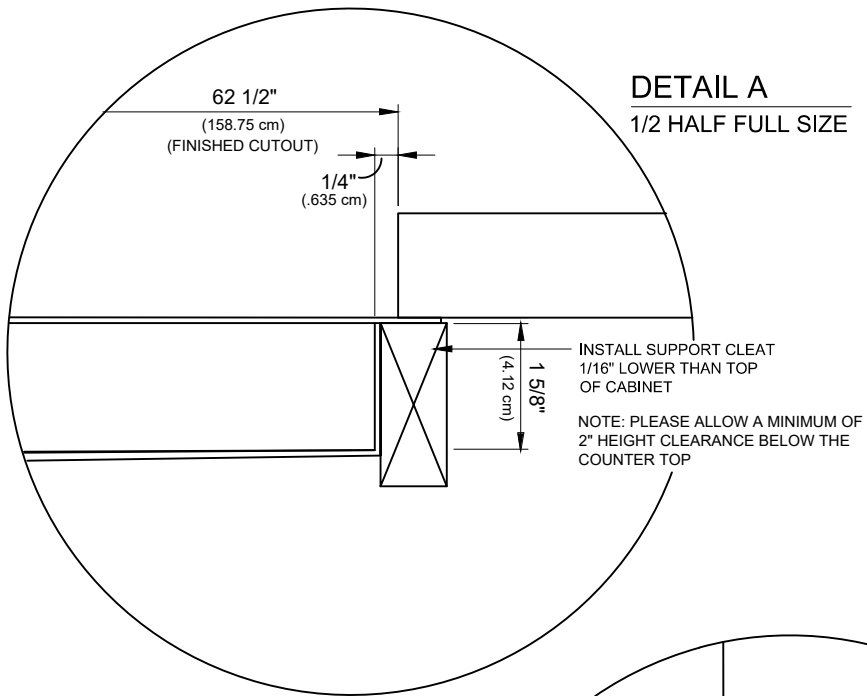
INSTALLATION AND COUNTER TOP CUTOUT DETAIL (OVERALL LENGTH)

SHEET 1 OF 2
 STAINLESS STEEL COMPLIANCE ASME A112.19.3-2008/CSA B45.4-08

WE RESERVE THE RIGHT TO MAKE REVISIONS WITHOUT NOTICE IN THE DESIGN OF PRODUCTS OR IN PACKAGING UNLESS THIS RIGHT HAS SPECIFICALLY BEEN WAIVED AT THE TIME THE ORDER IS ACCEPTED.

IWS-4-S-SS+DD-18-S-SS

THE GALLEY
 REINVENT YOUR KITCHEN



- FOR A SILICONE-FREE FLANGE:**
1. COVER WHAT WILL BE THE EXPOSED 1/2" OF TOP FLANGE WITH TAPE.
 2. APPLY A HEAVY BEAD OF SILICONE TO THE UN-TAPED PART OF THE FLANGE.
 3. SET THE COUNTER TOP, PRESS DOWN ONTO THE FLANGE. THE SILICONE SHOULD FILL ANY GAPS.
 4. WIPE EXCESS SILICONE OFF OF EXPOSED FLANGE.
 5. REMOVE TAPE

IWS-4-S-SS+DD-18-S-SS

INSTALLATION AND COUNTER TOP CUTOUT DETAIL

SHEET 2 OF 2

STAINLESS STEEL COMPLIANCE ASME A112.19.3-2008/CSA B45.4-08

WE RESERVE THE RIGHT TO MAKE REVISIONS WITHOUT NOTICE IN THE DESIGN OF PRODUCTS OR IN PACKAGING UNLESS THIS RIGHT HAS SPECIFICALLY BEEN WAIVED AT THE TIME THE ORDER IS ACCEPTED.

